



# **SLK-R660 Series**

**Industrial 4G Wireless**

**CPE Data Sheet**

## Product Introduction



### Introduction:

SLK-R660-4G is a high-speed 4G terminal based on high-performance dual-core CPU communication processor and integrated 4G NR/LTE-FDD/LTE-TDD/HSPA+ cellular modem. It supports NA/SA networking mode and is suitable for various terminals. Provide high-speed 4G connection. Abundant physical interfaces: 2 10/100/1000M Ethernet ports, 2 RS232/485 serial ports, 4 digital input DI ports, 2 digital output DO ports, 1 self-elastic NANO SIM card slot and 1 TF card slot, wide voltage input supports 9-28V. The small size design and the use of aluminum shell make it have good heat dissipation.

It has been widely used in the M2M industry of the industrial Internet of Things industry chain, such as self-service terminals, smart grids, smart transportation, smart homes, finance, mobile POS terminals, supply chain automation, industrial automation, smart buildings, fire protection, environmental protection, meteorology, digital Medical, telemetry, agriculture, forestry, water, coal, petrochemical and other fields.

### Features:

- ✓ High-performance dual-core communication dedicated processor
- ✓ 2 x 10/100/1000M Ethernet LAN/WAN Ports
- ✓ 4G NR/LTE-FDD/LTE-TDD/HSPA+ Network
- ✓ NA/NSA networking mode, China Mobile Unicom Telecom and other 4G networks
- ✓ 1 x NANO SIM card slot
- ✓ 1 x TF card slot, which can support up to 128GB capacity expansion
- ✓ 2 x RS232/485 serial port
- ✓ 4 x Digital input DI port, 2 x digital output DO ports
- ✓ Support DC9-28V input voltage
- ✓ Support 35MM standard DIN rail installation

**Details:**

<b>Hardware</b>	
<b>CPU</b>	MTK dual-core 880MHZ CPU
<b>RAM</b>	2G bit RAM
<b>SPI FLASH</b>	16M(bytes)default
<b>Nand Flash</b>	128MB(Bytes)Optional
<b>TF card expansion</b>	Maximum support 128GB (Bytes) capacity expansion (optional)
<b>OS</b>	LINUX latest version

<b>Cellular network band Support</b>		
<b>Network support</b>	China Mobile Unicom Telecom Three-network universal 7-mode (4G/3G/2G universal)	<ul style="list-style-type: none"> <li>•TDD-LTE B38/B39/B40/B41</li> <li>•FDD-LTE B1/B3/B5/B8</li> <li>•TD-SCDMA B34/B39</li> <li>•WCDMA/HSDPA/HSPA+ B1/B8</li> <li>•CDMA 1X/EVDO BC0</li> <li>•GSM/GPRS/EDGE 900/1800 MHz</li> </ul>
	Telecom 3G	EVDO,CDMA2000 1X
	Unicom 3G	HSUPA/HSDPA/UMTS/EDGE/GPRS/GSM
<b>Theory of Bandwidth</b>	<ul style="list-style-type: none"> <li>•LTE CAT4- Uplink up to 50Mbps, Downlink up to 150Mbps</li> <li>•TD-HSDPA/HSUPA- Uplink up to 2.2 Mbps, Downlink up to 2.8 Mbps</li> <li>• HSPA+- Uplink up to 5.76 Mbps, Downlink up to 42 Mbps</li> <li>• WCDMA - Uplink/downlink up to 384Kbps</li> <li>• CDMA2000/EVDO Uplink up to 1.8 Mbps, Downlink up to 3.1 Mbps</li> </ul>	
<b>Carrier support</b>	Support the three major operators of China Mobile, China Unicom, and China Telecom, as well as operators of corresponding frequencies abroad	

<b>Router characteristics:</b>	
<b>Firewall</b>	Network Address Translation(NAT)
	State full Packet Inspection(SPI)
<b>Media Access Control</b>	CSMA/CA with ACK
<b>VPN protocol</b>	PPTP,L2TP ,OpenVPN Client
<b>DHCP</b>	Build-in DHCP (Dynamic Host Configuration Protocol)
<b>Others protocol</b>	Supported PPP,PPOE, DDNS,ICMP,VRRP etc
<b>Characteristic</b>	FRP intranet penetration, and Modbus protocol etc.

<b>Serial port:</b>	
<b>Number of serial ports</b>	2
<b>Serial port standard</b>	Each channel supports RS232/485 standard, Connect the corresponding physical interface
<b>Serial port rate</b>	Each channel supports RS232/485 standard, Connect the corresponding physical interface
<b>RS232 pin definition</b>	The first RS232 serial port: TXD1, RXD1, GND three-wire system The first RS485 serial port: A1, B1 two-wire system The second RS232 serial port: TXD2, RXD2, GND three-wire system The second RS485 serial port: A2, B2 two-wire system Note that each serial port can support 232/485, just connect the corresponding pins, not at the same time
<b>Serial working mode</b>	TCP Server TCP Client UDP Modbus RTU to Modbus TCP Server

<b>IO port</b>	
<b>Digital quantity input</b>	4 DI inputs
	DIN1,DIN2,DIN3,DIN4,DCOM is public port
	Work agreement: MODBUS TCP SERVER,Default port 502 The upper computer establishes a connection through MODBUS TCP CLIENT: SLK-R660 default IP+502 port
<b>Digital quantity out</b>	2 DO out
	DO1,COM1,DO2,COM2,COM is public port
	Relays out
	Work agreement: MODBUS TCP SERVER,Default port 502 The upper computer establishes a connection through MODBUS TCP CLIENT: SLK-R660 default IP+502 port

<b>Other interfaces</b>	
<b>LAN/WAN interface</b>	1 x 10/100/1000M Ethernet LAN port
	1 x 10/100/1000M Ethernet LAN/WAN port, the default is WAN port, which can be changed to LAN port from the configuration page
<b>Reset button</b>	1 reset button, reset to factory settings
<b>antenna</b>	4x 4G antenna(50Ω SMA interface)
<b>LED</b>	Power: Power indicator, always on when power is on SYS: System indicator, flashing during system startup, always on after startup 4G: After registering to the 4G network, this light is always on RDY: The network registration is normal and the light is always on when the network can

	be connected 4 LED lights on the right side are signal strength indicators
<b>SIM card slot</b>	1 x self-elastic NANO SIM card slot, support 1.8/3.3V SIM card
<b>TF card expansion slot</b>	Support up to 128G (Bytes) TF card

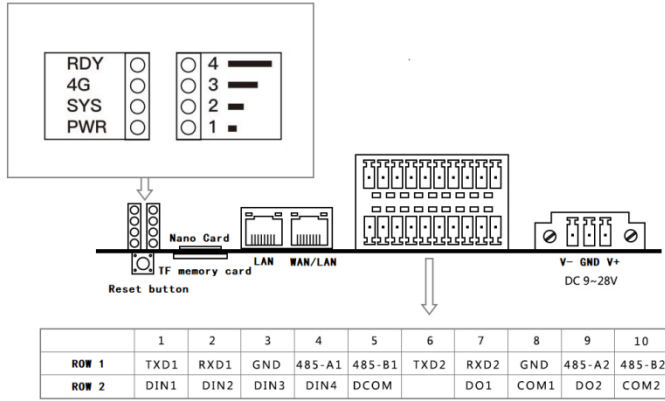
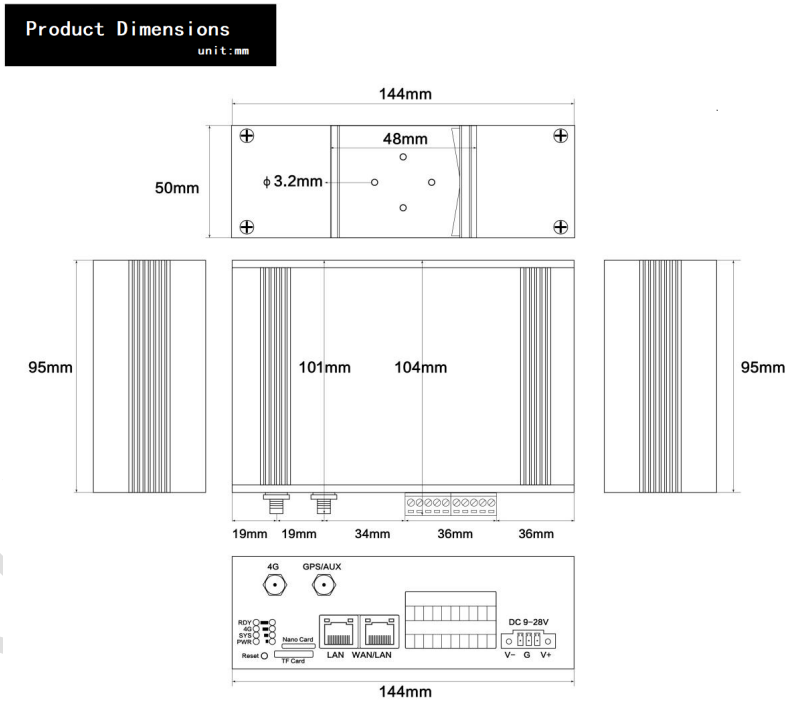
<b>Power interface</b>	
<b>Default power</b>	DC 12V/1.5A Power adapter (optional for US, EU and other standards)
<b>Input VDC</b>	9~28VDC
<b>Power Consumption</b>	20W (Max)

<b>Physical data</b>	
<b>Operation temperature</b>	Storage temperature: (-40°C to 85°C)
	Operating temperature: (-40°C to 75°C)
<b>Relative humidity</b>	95%
<b>Size</b>	L*S*H: 144mm x95mm x 50mm
<b>Install</b>	Support 35MM DIN rail installation
<b>Weight</b>	net weight:505g
	Accessories with packaging: 861kg
<b>Related certificates</b>	CCC,CE,FCC,RHOS

<b>other</b>	
<b>Warranties</b>	2 year
<b>Package Contents</b>	4G CPE terminal, 1.5m RJ45 network cable, 12V/1 .5A power adapter, 2 rod-shaped 4G antennas (or suction cup antenna optional) instruction manual (optional PDF version)

**Ordering Information:**

Model number	LAN	WAN	SIM card slot	4G antenna
SLK-R660-4G	1	1	1	2

**Interface definition diagram:**

**Installation size:**


Thank you for your support of SERIALLINK products.

If you have any questions, please email: [info@seriallink.net](mailto:info@seriallink.net) or [www.seriallink.net](http://www.seriallink.net)